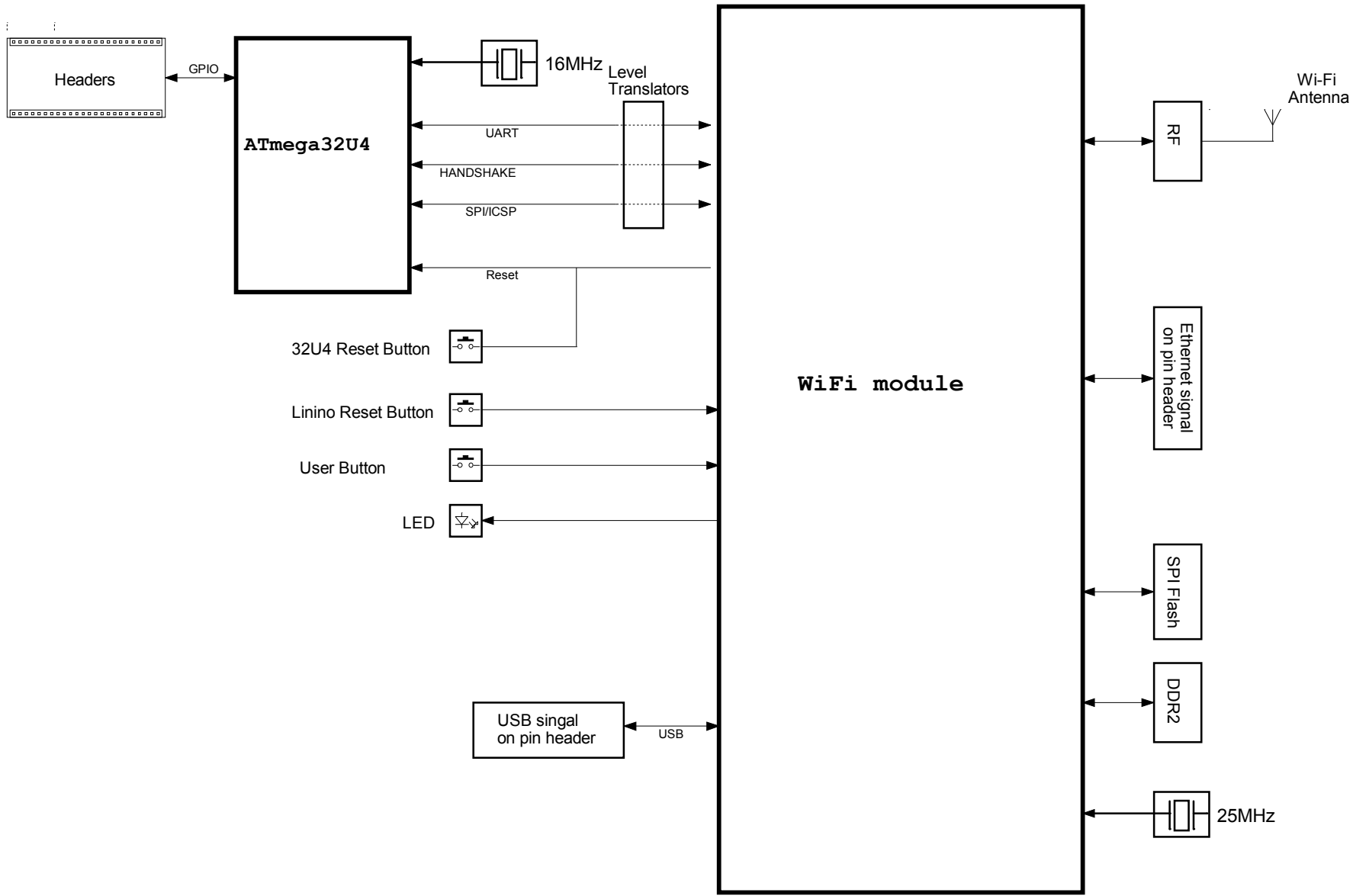
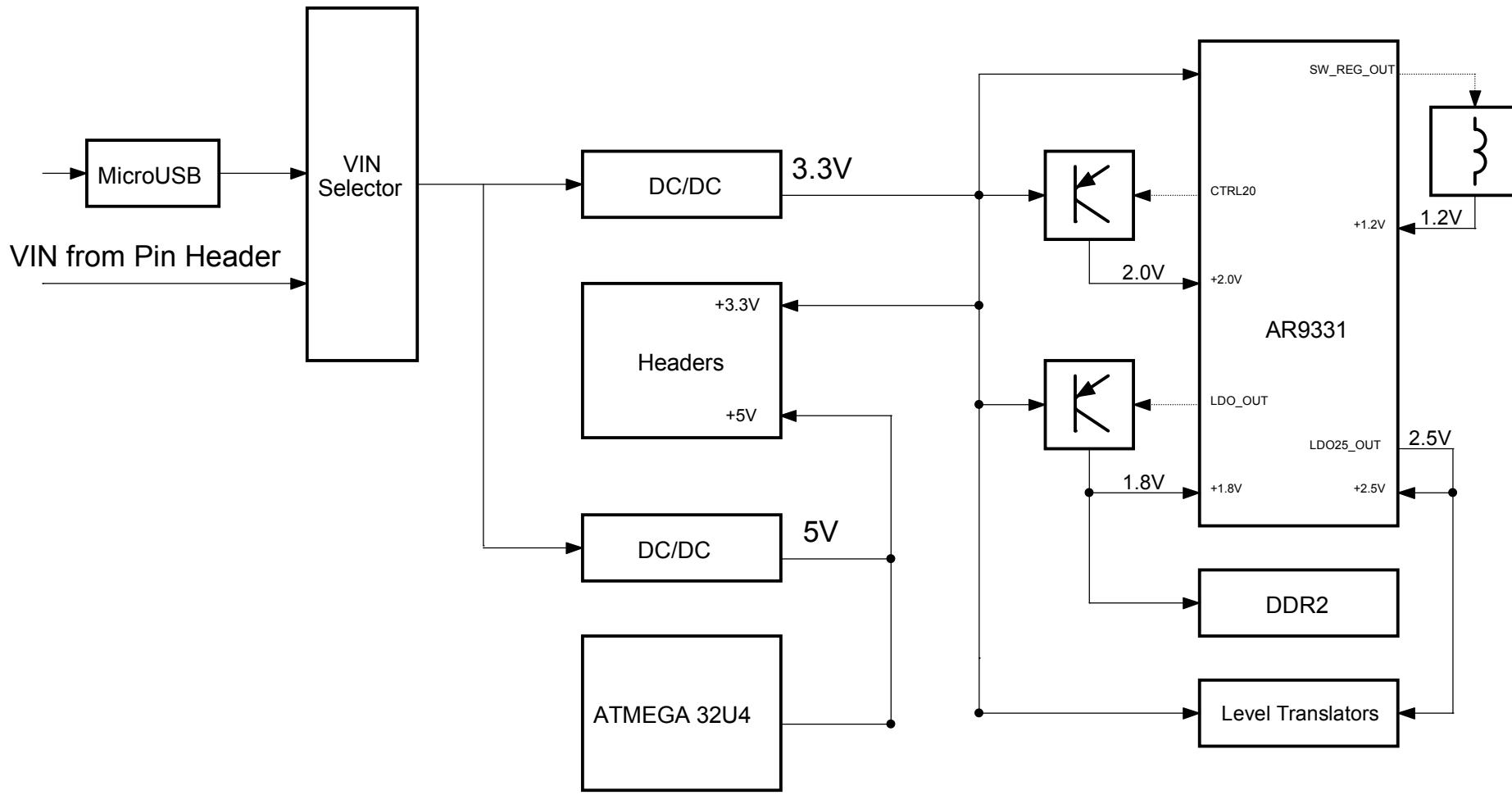
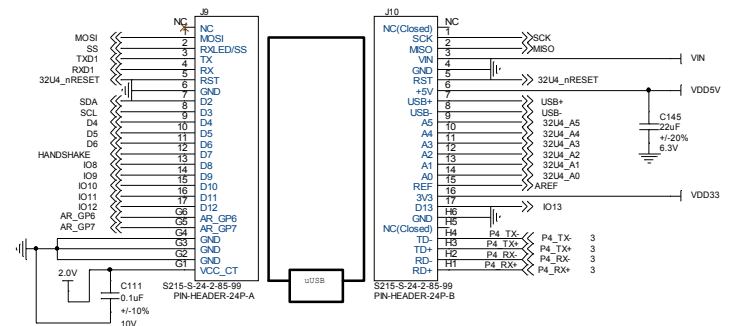
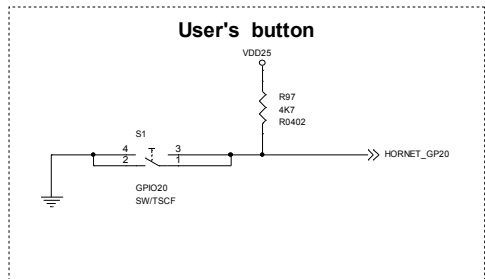
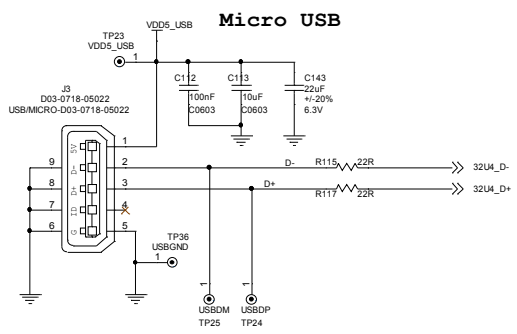
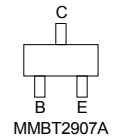
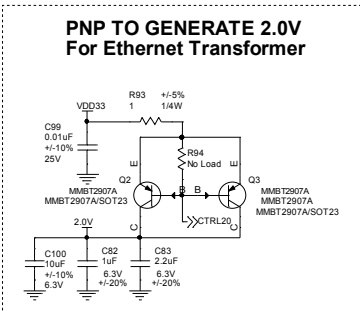
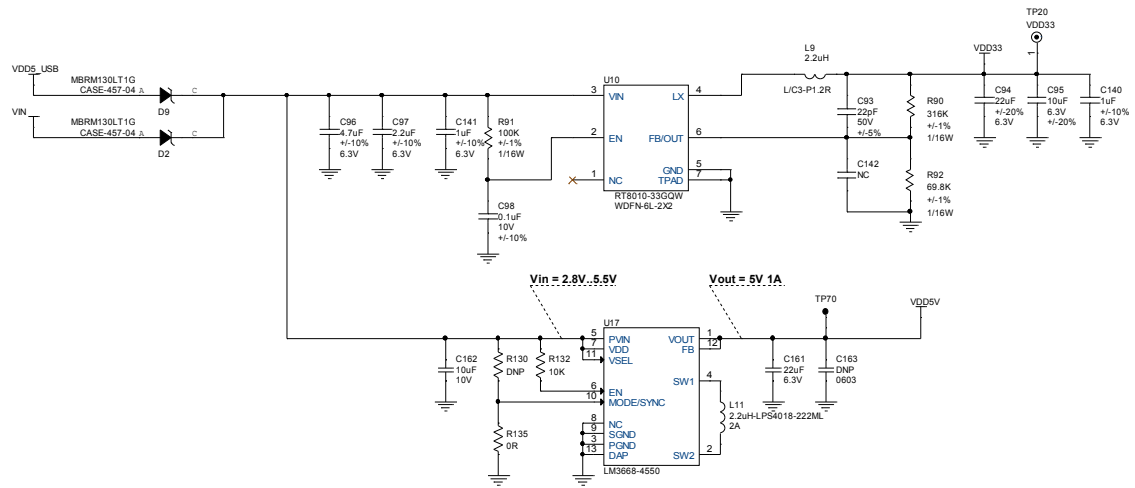


YUN Mini Block Diagram





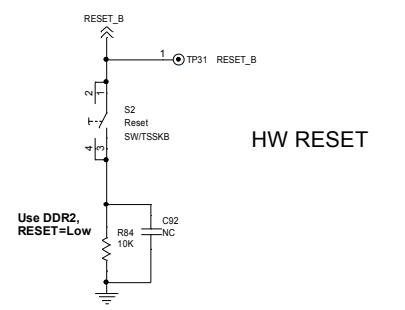
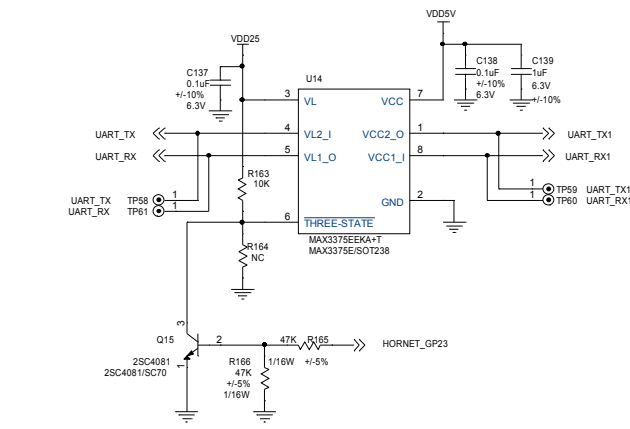
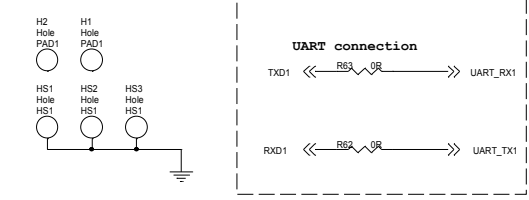
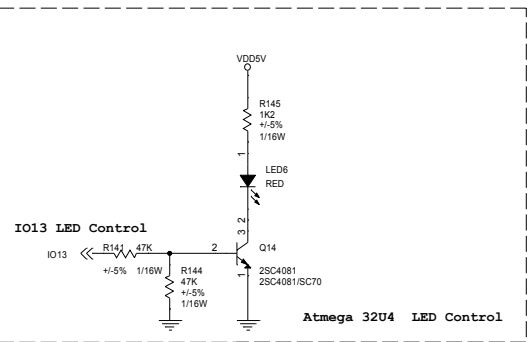
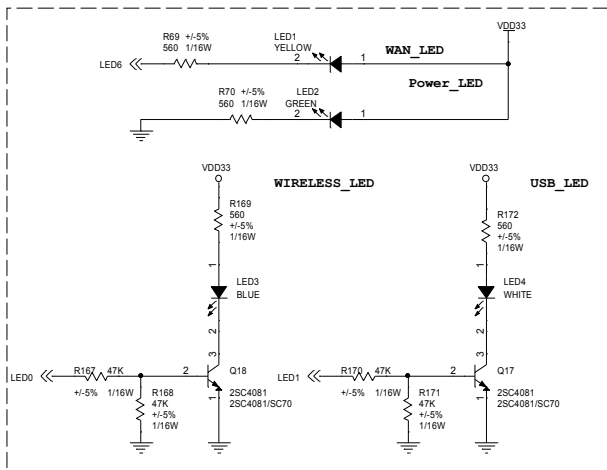
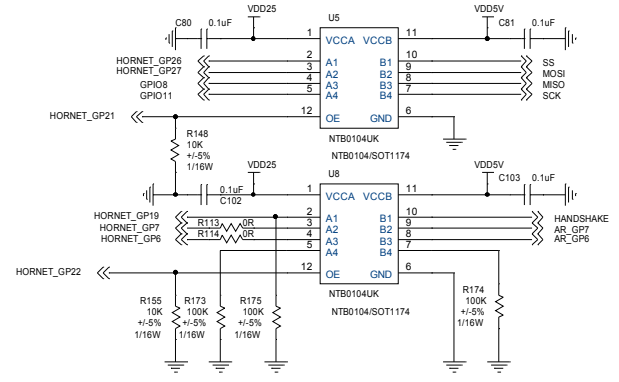
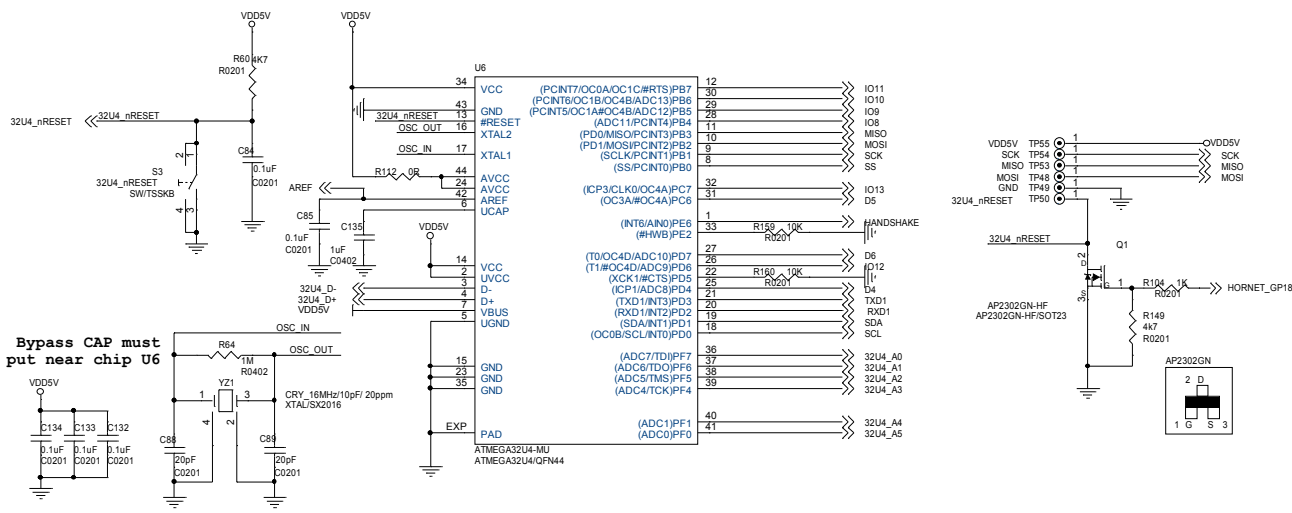


Author = Tony Jin
dog hunter Inc.
8F-4, No.17, Ln. 91, Sec. 1,
Neihu Rd., Neihu Dist., Taipei City
Taiwan (R.O.C.)

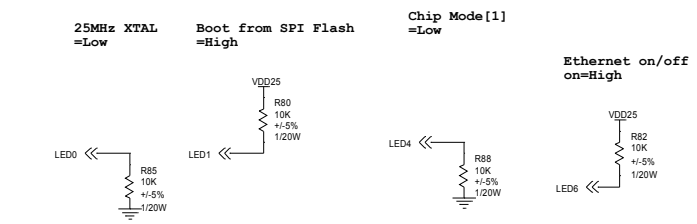
File: _____ Power: _____

Size: _____ Document Number: YUN MINI Rev: _____

Date: Wednesday, April 08, 2015 Sheet: 2 of 13



Trade-offs:
 Nets name LED0, LED1, LED2, LED3, LED4, LED6 are also for Boot-strap during power on. To avoid wrong voltage applied on the IO pin from LED, these GPIOs should be source current only. The rest LEDs are using sink current mode to reduce the Hornet internal 2.5V LDO loading (thermal).

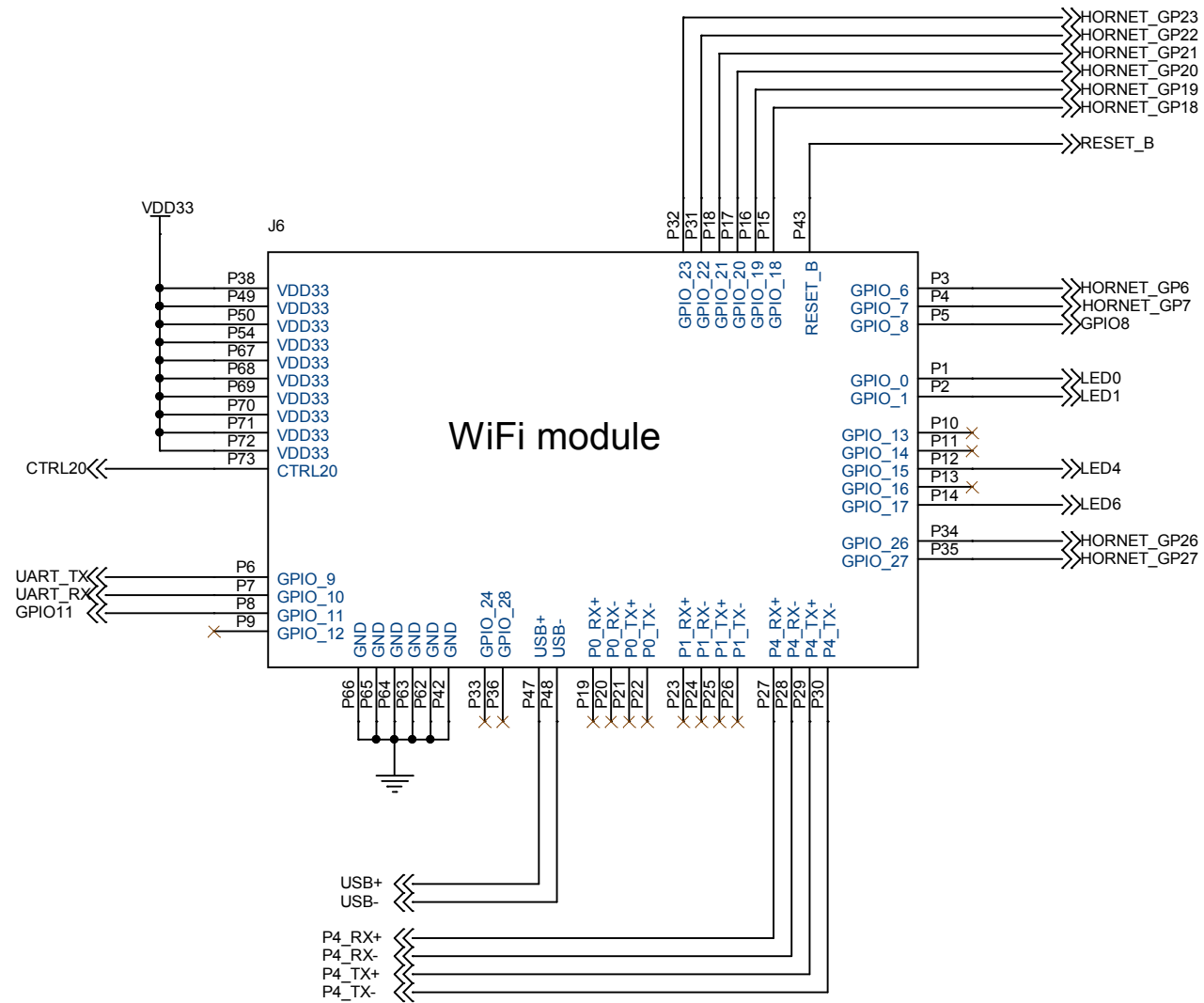



Author = Tony Jin
 dog hunter Inc.
 8F-4, No.17, Ln. 91, Sec. 1,
 Neihu Rd., Neihu Dist., Taipei City
 Taiwan (R.O.C.)

File: Atmel 32U4

Size: Document Number: _____ Rev: _____

Date: Wednesday, April 08, 2015 ESheet 2 of 13





Author = Tony Jin
dog hunter Inc.

8F-4, No.17, Ln. 91, Sec. 1,
Neihu Rd., Neihu Dist., Taipei City
Taiwan (R.O.C.)

Title		
WIFI module		
Size	Document Number	Rev
Date:	Wednesday, April 08, 2015	Sheet 2 of 13